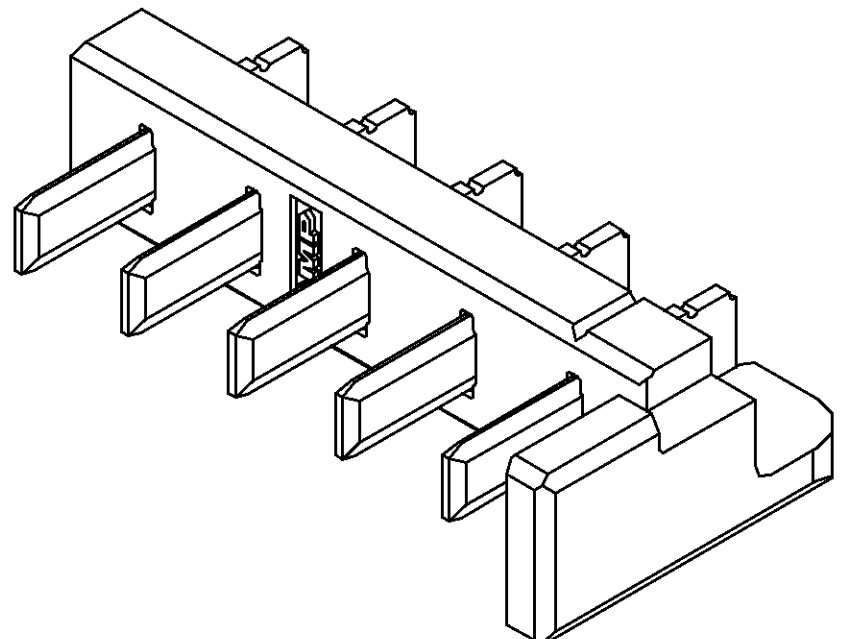
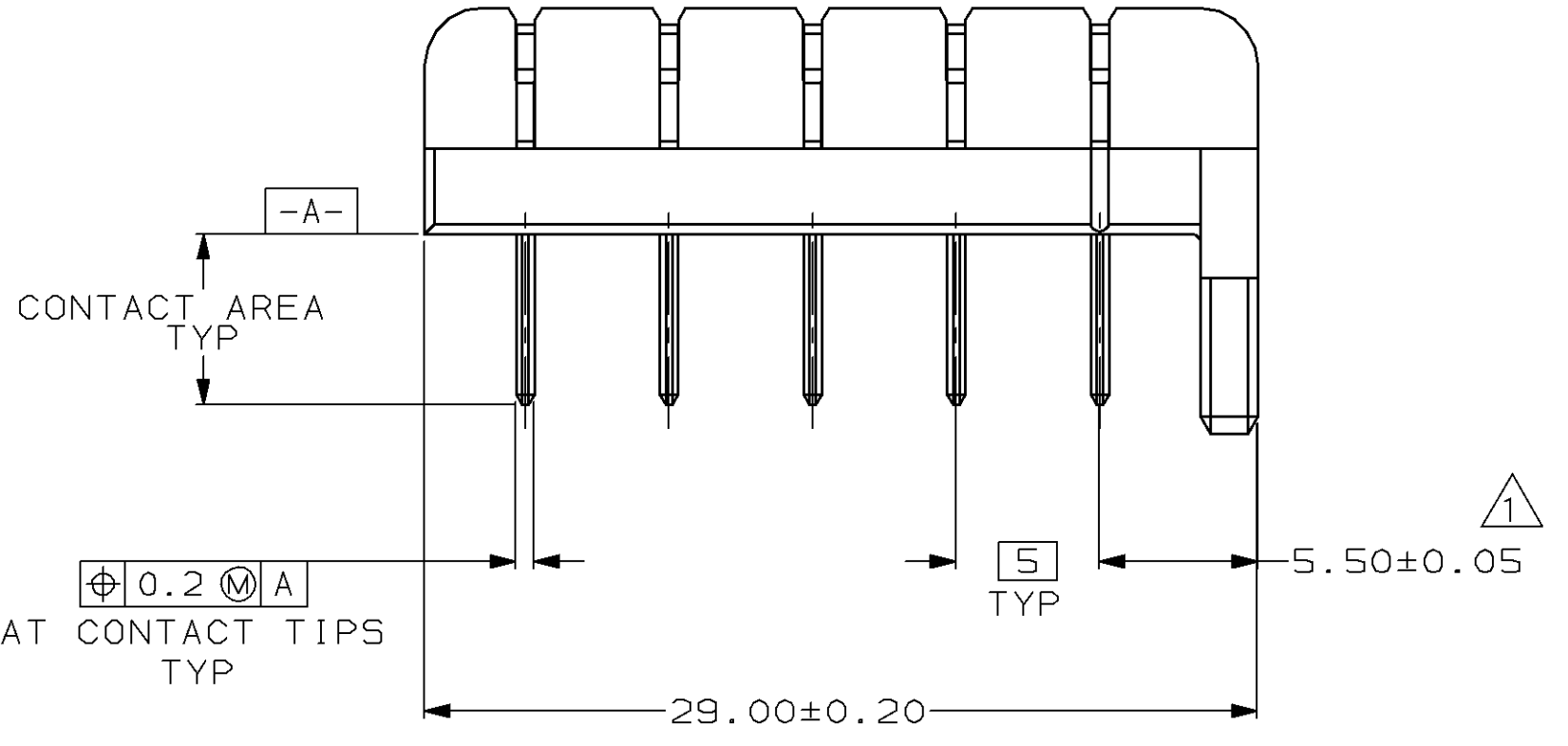
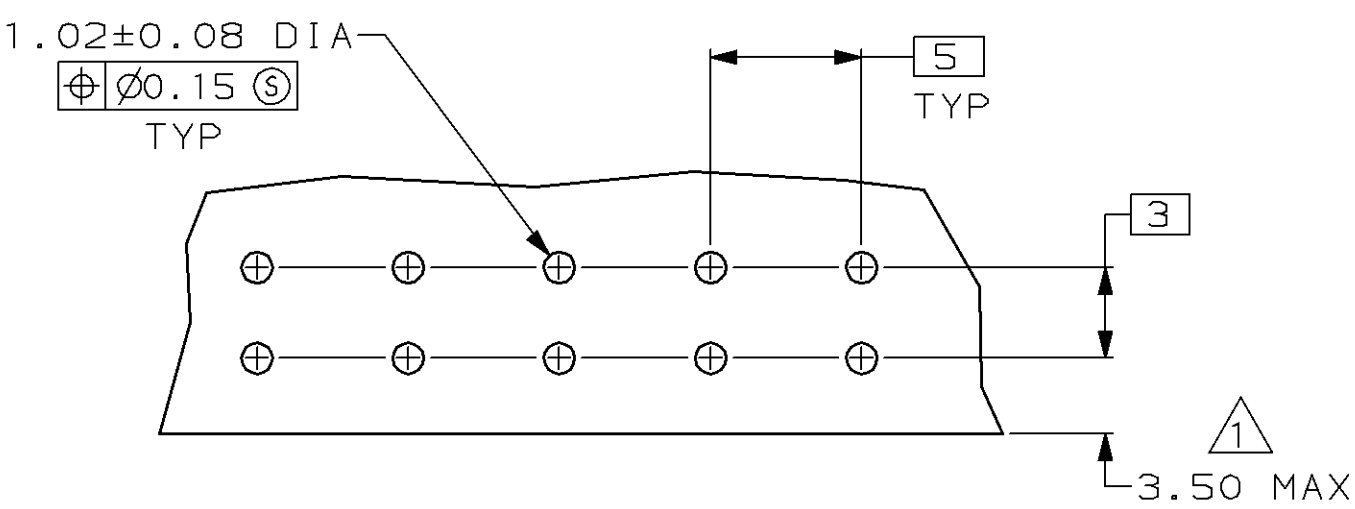
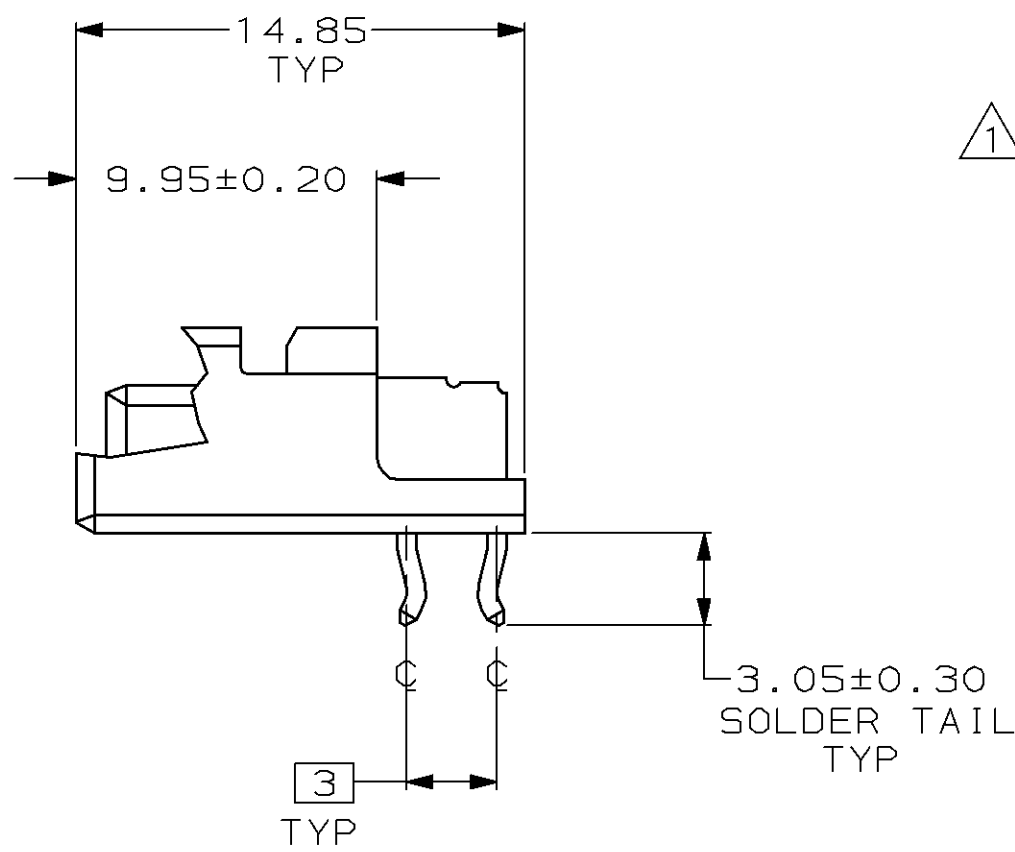
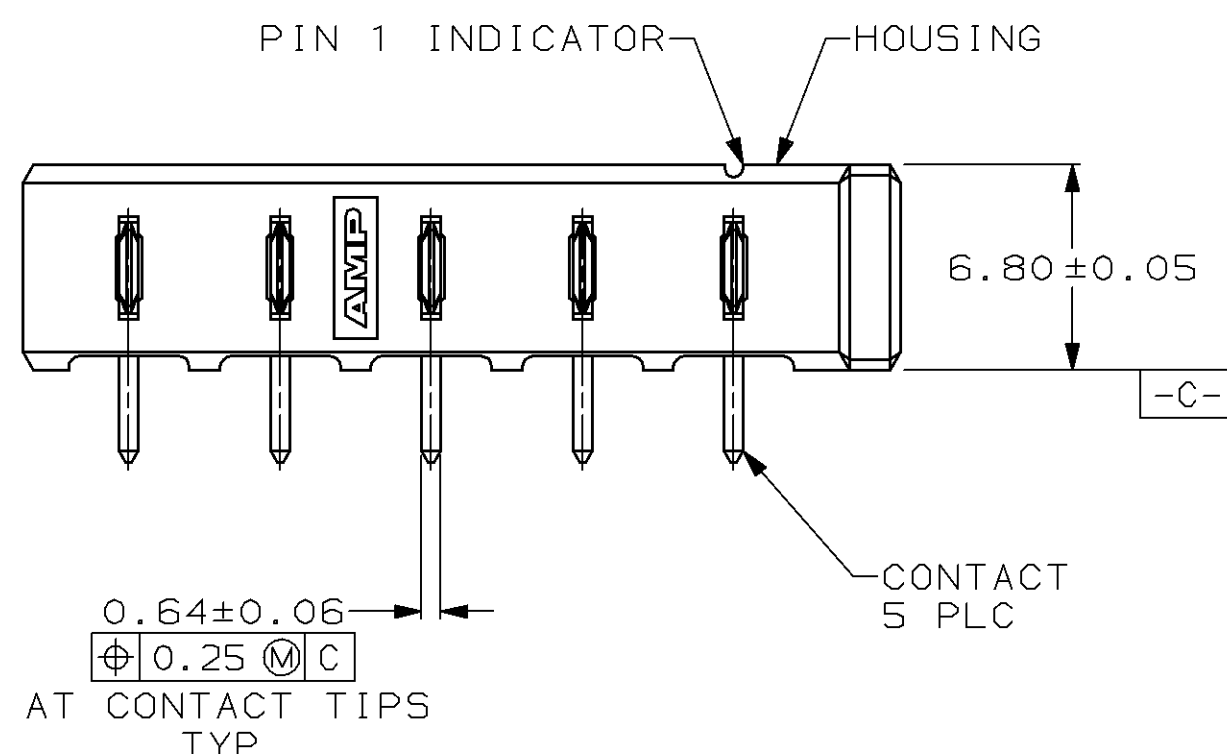


THIS DRAWING IS UNPUBLISHED. RELEASED FOR PUBLICATION ,19 .
 © COPYRIGHT 19 BY AMP INCORPORATED. ALL INTERNATIONAL RIGHTS RESERVED.

LOC	DIST	P	F	ZONE	LTR	DESCRIPTION	DATE	APPD
AD	39					RLSE -1 NPR 5055, WAS 93-1878-131-1	02/17/94	-
						REV PER EC0020-346-94	04/14/94	RSK
						REV PER EC0020-645-94	07/07/94	RSK
						REV PER EC 0020-0657-96	12/06/96	RK



$\triangle 1$ COORDINATE DIMENSION APPLIES FROM CENTER OF ACTUAL FEATURE.



DO NOT SCALE PRINT. UNLESS SPECIFIED DIMENSIONS IN mm TOLERANCES ON : 2 PLC DEC ± 0.10 3 PLC DEC \pm - ANGLES \pm -		DR 11/11/93 G.DOUTY	AMP Incorporated Harrisburg, PA 17105-3608
MATERIAL HOUSING: LCP, BLACK CONTACTS: BRASS	CHK 02/17/94 S.KLINE	APPD 02/17/94 S.KLINE	
FINISH CONTACTS: 2.54 μ m MIN TIN-LEAD ON SOLDER TAIL OVER 1.90 μ m MIN NICKEL ALL OVER	APPD 02/17/94 S.KLINE	PRODUCT SPEC 108-1501	NAME HEADER ASSEMBLY, RIGHT ANGLE, 5mm ϕ , 5 POSITION, SINGLE KEY, RIGHT VOLTAGE KEY, RETENTIVE SOLDER TAILS, BATTERY INTERCONNECT, 7.2 VOLT
	APPLICATION SPEC -	WEIGHT -	SIZE ϕ
			CAGE CODE 00779
			DRAWING NO G=787141
			SCALE 4:1
			SHEET 1 OF 1

THIS DRAWING IS A CONTROLLED DOCUMENT FOR AMP INCORPORATED. IT IS SUBJECT TO CHANGE AND THE CONTROLLING ENGINEERING ORGANIZATION SHOULD BE CONTACTED FOR THE LATEST REVISION.